

THE  
*Signature*

COLLECTION™

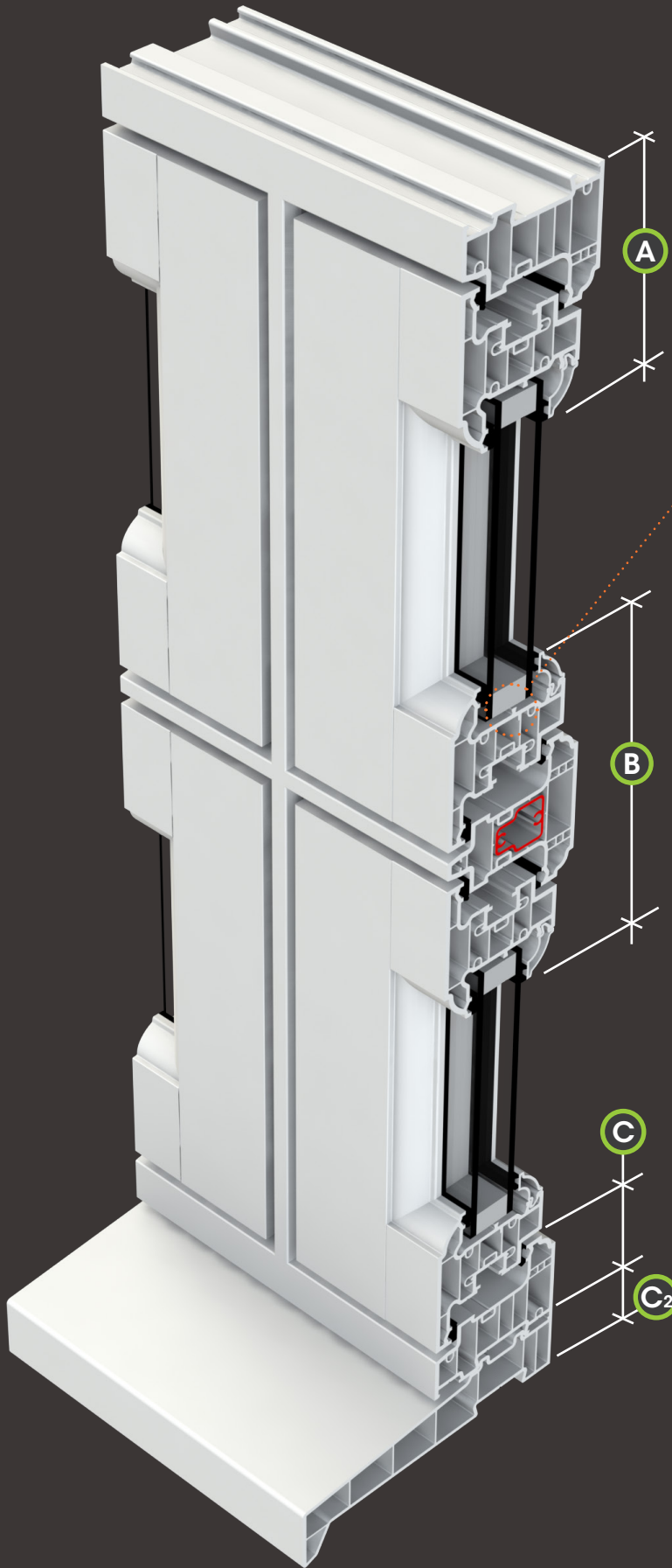
WINDOWS & DOORS  
WITH EXTENDED WARRANTIES

Technical Information

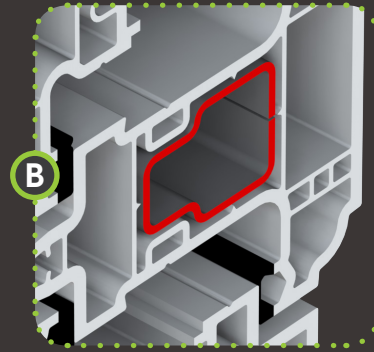
resurgence 



Vertical Cross Section - 80mm Flush Sash window



Optional glazing tipper



Optional steel reinforcement

## 80mm Flush Sash window

- 70mm sash with 80mm frame
- Sculptured suite
- Welded or mechanically jointed options
- Double rebated weather seal
- U-Values from 1.2 (D6U) and 0.8 (TGU)
- Fully foiled outer frame and transoms for authenticity

### Accreditations



PAS24



BS EN 12608



ISO 9001



BS EN 6375

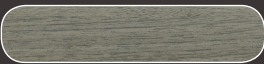
### Colour Options



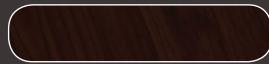
White or White Foil



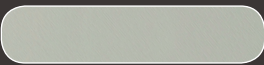
Cream or Cream Foil



Anteak Oak



Rosewood



7038 Agate Grey



Black



7016 Grey

Additional colours are available to order as specials.  
The colours shown in this brochure give an indication only.

Product	Dim. <b>A</b>
Small frame & sash LFS011 & LFS031	104mm

Product	Dim. <b>B</b>
Transom & sash LFS021 & LFS031	170mm

Product	Dim. <b>C</b>
Small frame LFS011	57mm

Product	Dim. <b>C<sub>2</sub></b>
85, 150, 165, 180 cills LSL085, LSL150, LCL165, LSL180	30mm



THE  
*Signature*

TM  
COLLECTION

WINDOWS & DOORS  
WITH EXTENDED WARRANTIES

resurgence

The Liniar Specification Guide is an A4-size, 234-page, full colour guide to specifying energy efficient PVCu windows and doors. Covering the full range of lead-free Liniar products including residential doors, the Specification Guide includes full product charts, U-values, dimensions, accreditations, safety information and a variety of case studies.

To view an online copy of the Liniar Specification Guide and to order your free copy visit :[www.liniar.co.uk/specification-guide](http://www.liniar.co.uk/specification-guide) Liniar